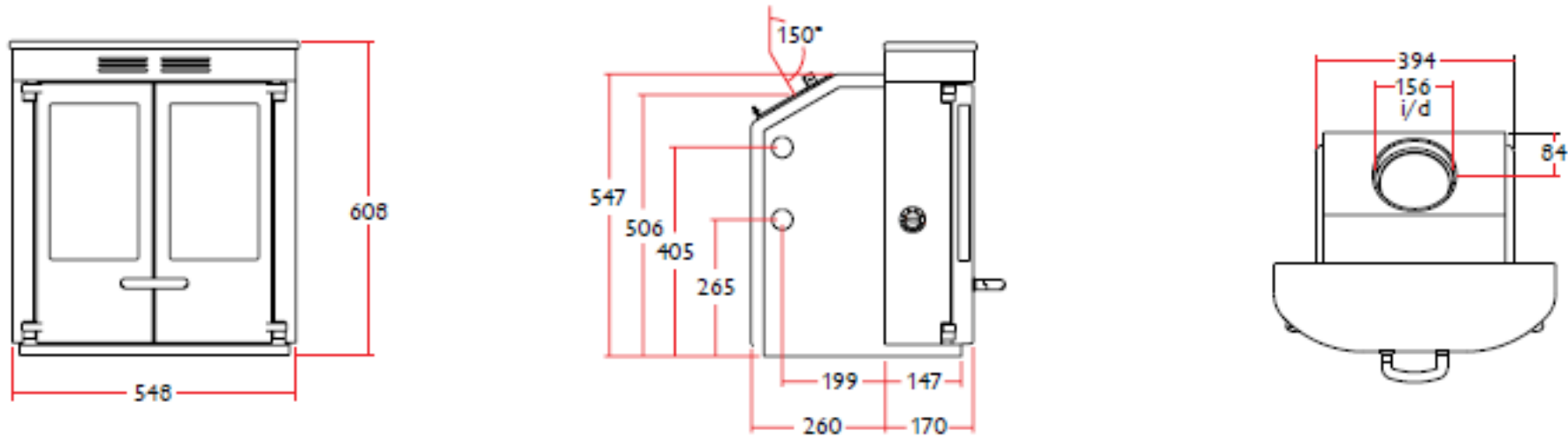


For an optional boiler 2x1" BSP male connections may be fitted either left or right. Max working head 15.2m (50ft)

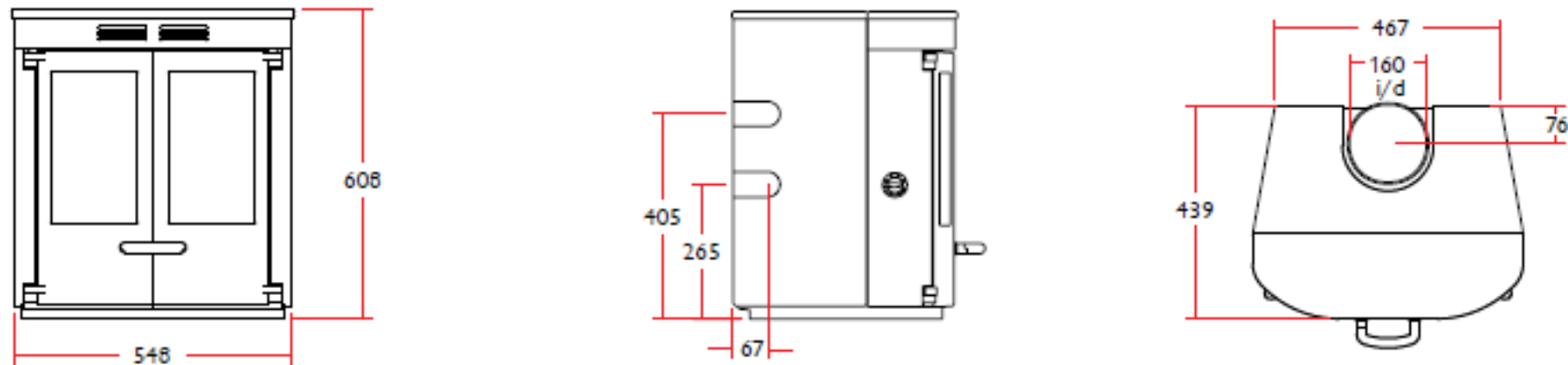


20i
SLX

NOMINAL OUTPUT 4 hour reloading	To room 5.4kW (18,500 Btu/hr) To optional boiler 2.3kW (8,000 Btu/hr)
ROOM CAPACITY	Approx. 108m ³ • 6.3 x 6.3m (20 x 20ft)
FLUE OUTLET	150mm (6") dia. • 150° elbow require

MAX. LOG LENGTH	280 mm (11")
WEIGHT	125kg
THERMOSTAT	Body temperature sensing

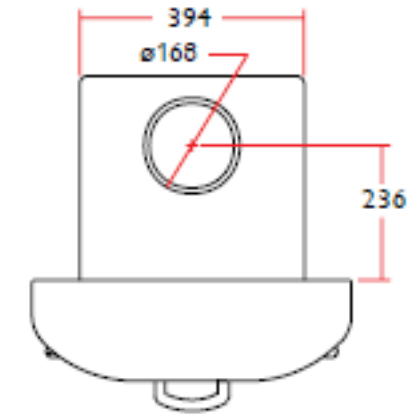
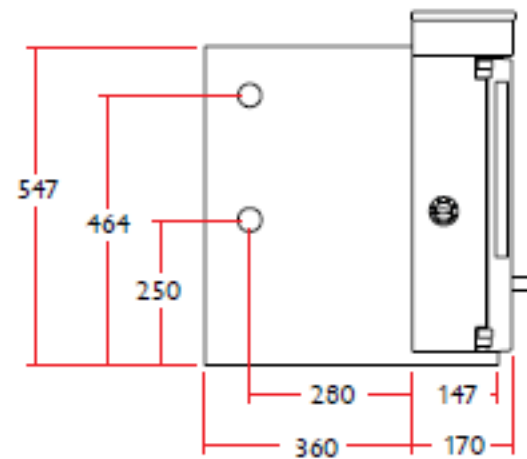
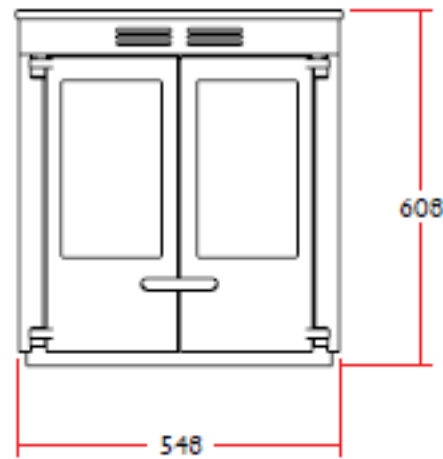
For an optional boiler 2x1" BSP male connections may be fitted either left or right. Max working head 15.2m (50ft)



20fs
SLX

NOMINAL OUTPUT 4 hour reloading	To room 5.4kW (18,500 Btu/hr) To optional boiler 2.3kW (8,000 Btu/hr)
ROOM CAPACITY	Approx. 108m ³ • 6.3 x 6.3m (20 x 20ft)
FLUE OUTLET	150mm (6") dia.

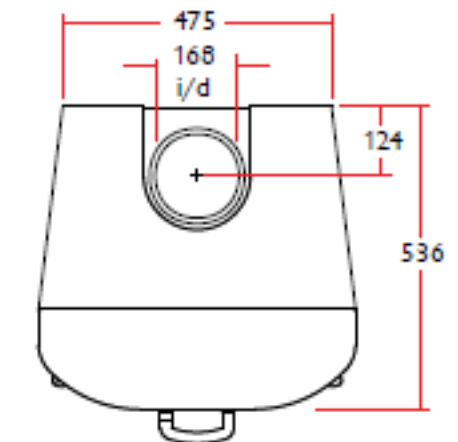
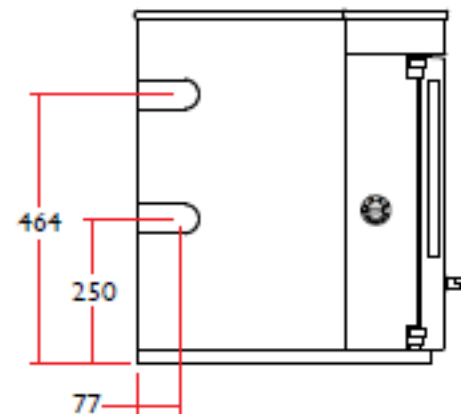
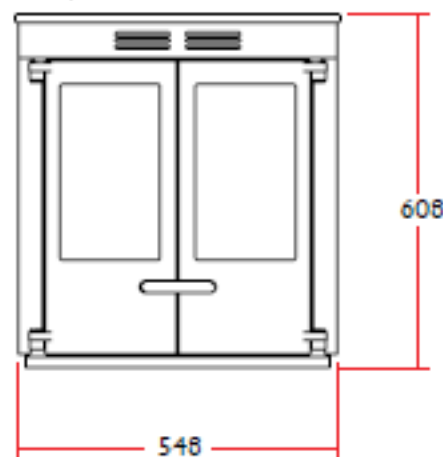
MAX. LOG LENGTH	280 mm (11")
WEIGHT	130kg
THERMOSTAT	Body temperature sensing



45i
SLX

NOMINAL OUTPUT <i>4 hour reloading</i>	To room 3.5kW (11,900 Btu/hr) To water 9.4kW (32,000 Btu/hr)
HEATING CAPACITY	DHW & approximately 8-9 radiators Also suitable for underfloor heating

FLUE OUTLET	150mm (6") dia.
MAX. LOG LENGTH	370 mm (14.5")
WEIGHT	135kg
THERMOSTAT	Boiler temperature sensing



45fs
SLX

NOMINAL OUTPUT <i>4 hour reloading</i>	To room 3.7kW (12,600 Btu/hr) To water 9.2kW (31,400 Btu/hr)
HEATING CAPACITY	DHW & approximately 8-9 radiators Also suitable for underfloor heating

FLUE OUTLET	150mm (6") dia.
MAX. LOG LENGTH	370 mm (14.5")
WEIGHT	140kg
THERMOSTAT	Boiler temperature sensing