

## ALBA 60

### X-1076 ALBA 60

REND. 70,8%

N.O. 12,4 kW

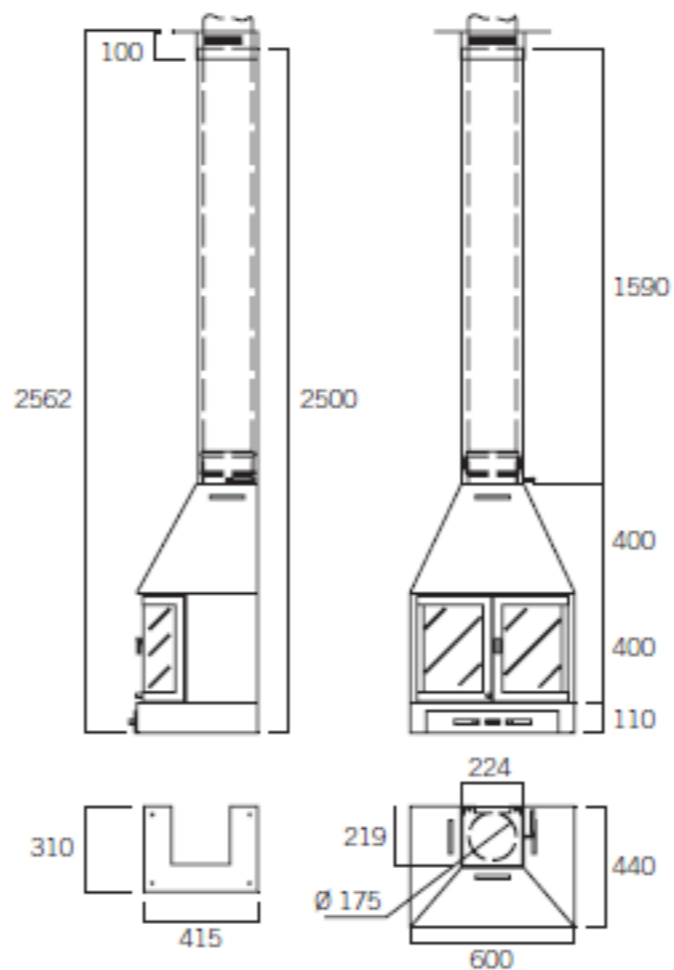
CO to 13% O<sub>2</sub> = 0,17%

C.H. 3,69 kg

UNE-EN 13240

Weight 110 kg

VOL. 0,59 m<sup>3</sup>



### OPTIONAL ELEMENTS



X-1074-2/1  
Flue cover



X-1074-9  
Corner piece



A-4501  
Stand



X-1074-1/3  
Special finishing piece



X-1074-1/2  
Inclined finishing piece