

ELBIA

X-1031 ELBIA

REND. 65,6%

N.O. 12 kW

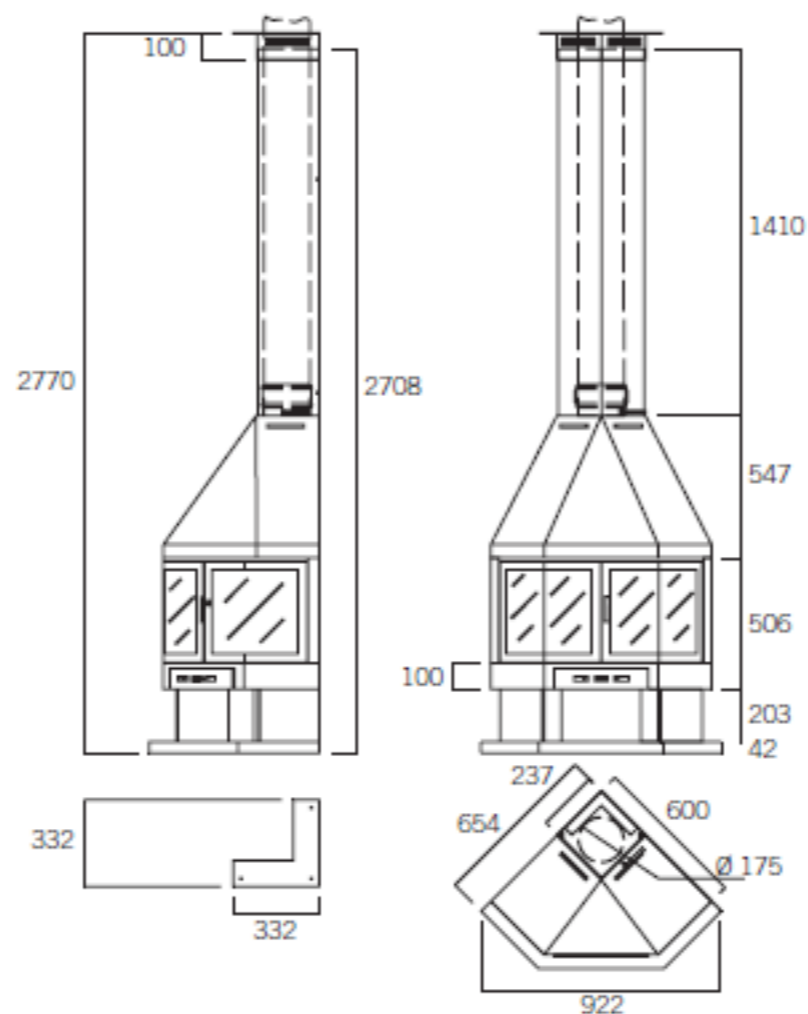
CO to 13% O₂ = 0,13%

C.H. 3,8 kg

UNE-EN 13240

Weight 144 kg

VOL. 0,77 m³



OPTIONAL ELEMENTS



X-1030-2/1
Flue cover



X-1030-1/3
Special finishing piece



X-1030-1/2
Inclined finishing piece



X-1030-9
Corner piece