

MARICEL 100

X-1124 MARICEL 100

REND. 43,9%

N.O. 7,7 kW

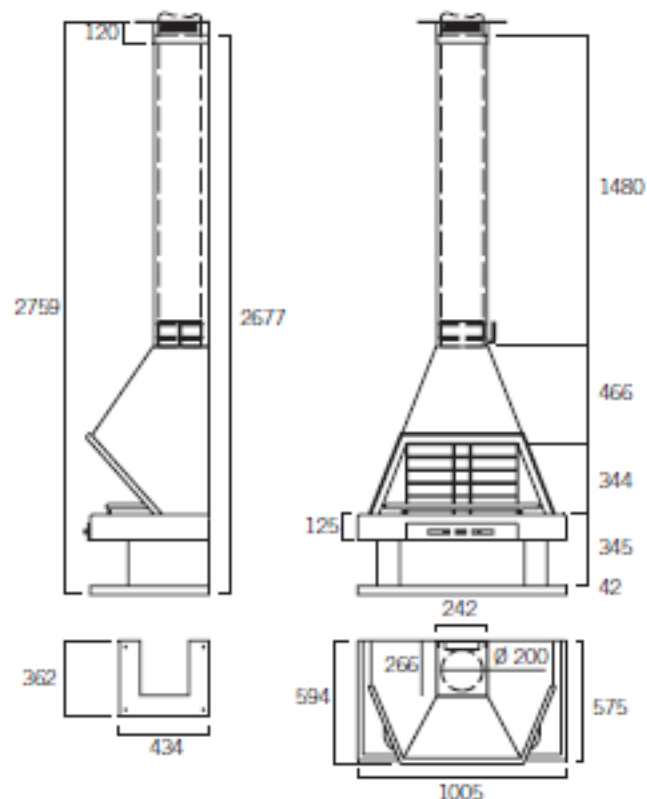
CO to 13% O₂ = 0,33%

C.H. 3,6 kg

UNE-EN 13229

Weight 130 kg

VOL. 1,36 m³



OPTIONAL ELEMENTS



X-1124-2/1
Flue cover



X-1124-1/3
Special finishing piece



X-1124-1/2
Inclined finishing piece



X-1124-9
Corner piece