

## MARINA 60

### X-1078 MARINA 60 RIGHT

right/à droite/rechts

(diagram/dessin/Tekening)

### X-1077 MARINA 60 LEFT

left/à gauche/links

REND. 72,5%

N.O. 11,9 kW

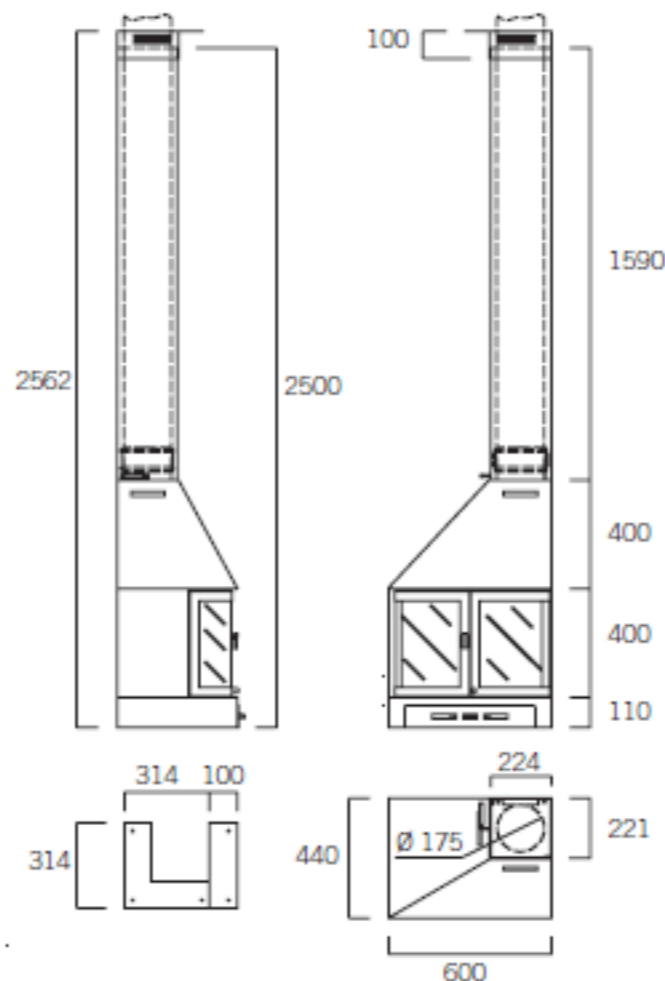
CO to 13% O<sub>2</sub> = 0,21%

C.H. 3,4 kg

UNE-EN 13240

Weight 118 kg

VOL. 0,50 m<sup>3</sup>



## OPTIONAL ELEMENTS



right/à droite/rechts  
left/à gauche/links

X-1084-2/1  
X-1079-2/1  
Flue cover



X-1084-1/3  
X-1079-1/3  
Special finishing piece



X-1084-1/2  
X-1079-1/2  
Inclined finishing piece



X-1084-9  
X-1079-9  
Corner piece



A-4501  
A-4501  
Stand