

TESSA

X-1235 TESSA

REND. 71,9%

N.O. 13 kW

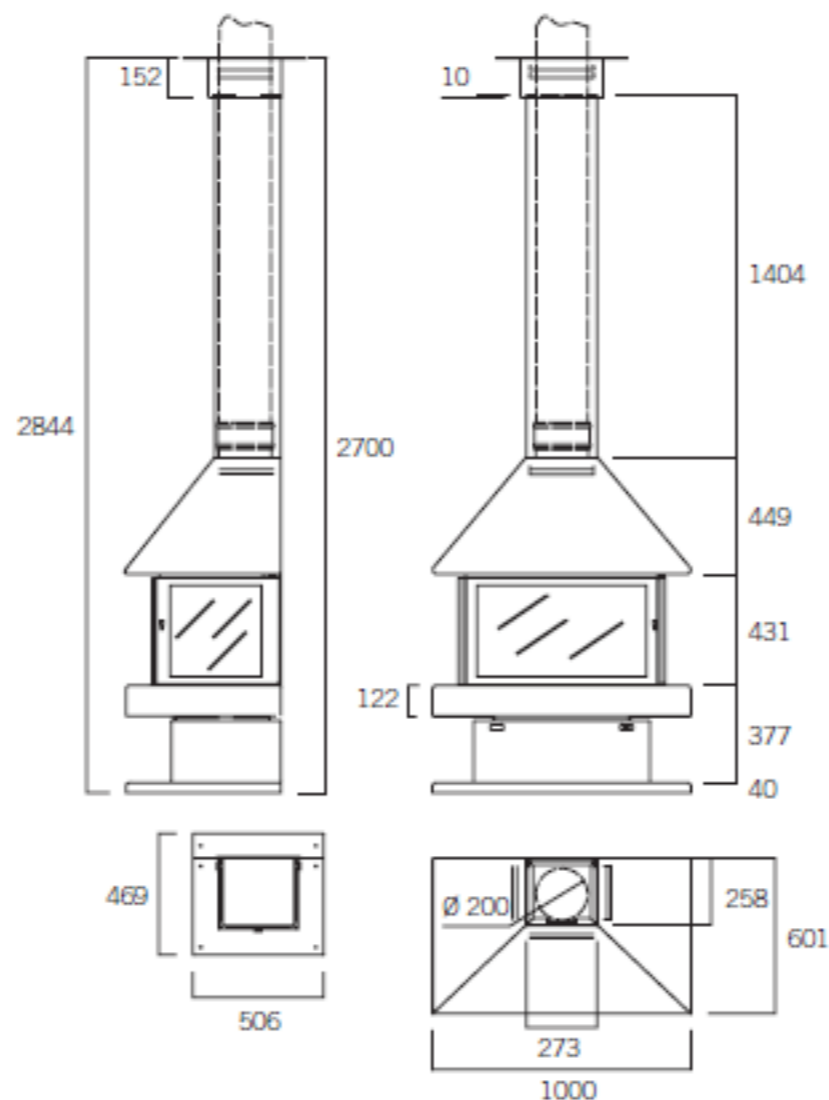
CO to 13% O₂ = 0,22%

C.H. 3,82 kg

UNE-EN 13240

Weight 192,5 kg

VOL. 1,36 m³



OPTIONAL ELEMENTS



X-1235-2/1
Flue cover



A-2070
Forced ventilation
system



X-1235-1/3
Special finishing piece



X-1235-1/2
Inclined finishing piece



X-1235-9
Corner piece