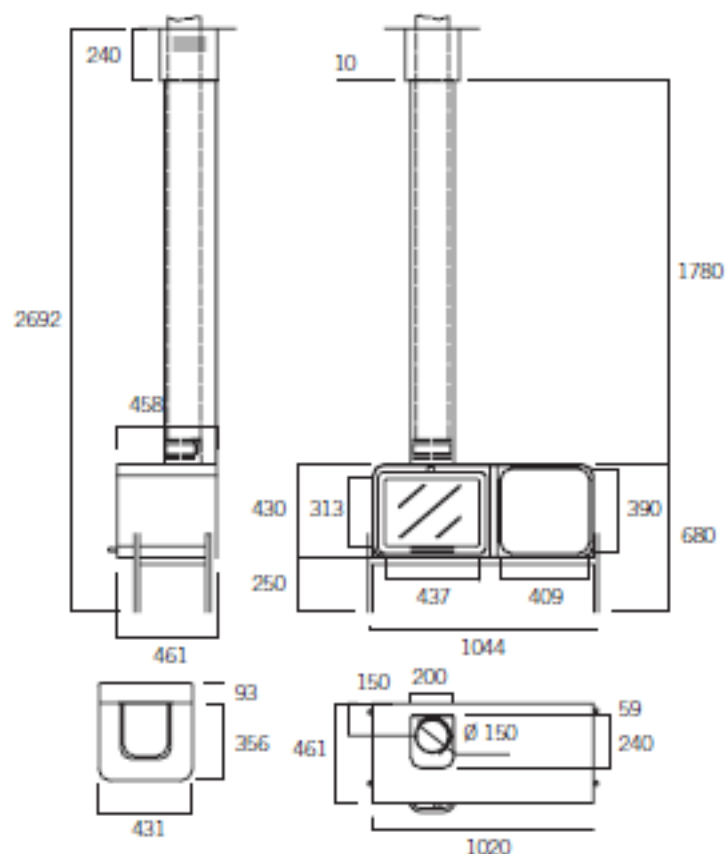


D-6

**X-1260 WOOD COMPARTMENT RIGHT**  
**X-1261 WOOD COMPARTMENT LEFT**

REND. 70%  
N.O. 9,5 kW  
CO to 13% O<sub>2</sub> = 0,5%  
C.H. 3 kg  
UNE-EN 13240  
Weight 152 kg  
VOL. 1,15 m<sup>3</sup>



OPTIONAL ELEMENTS



X-1255-2/1  
Flue cover



X-1255-1/3  
Special finishing piece



X-1255-1/2  
Inclined finishing piece

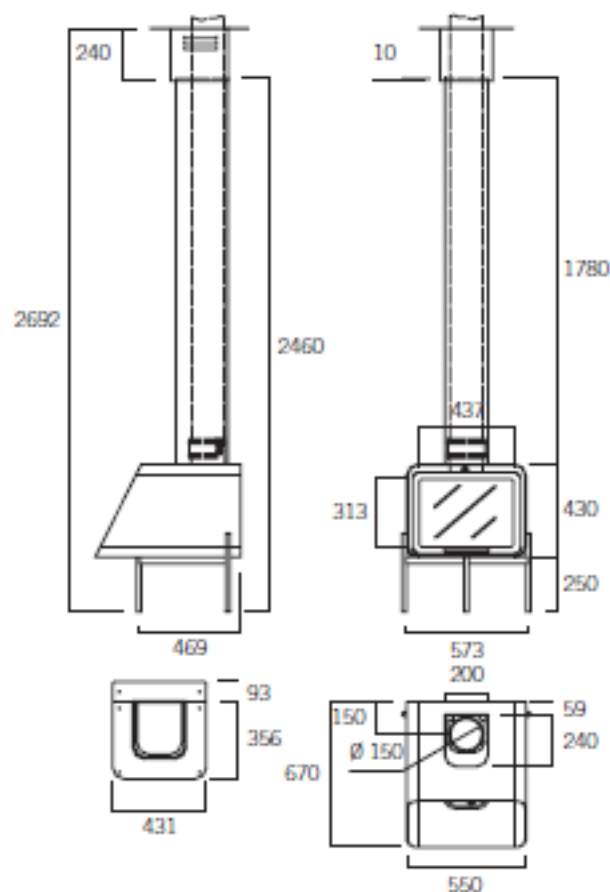


X1260-6  
Wall support

D-5

**X-1255 D-5**

REND. 70%  
N.O. 9,5 kW  
CO to 13% O<sub>2</sub> = 0,5%  
C.H. 3 kg  
UNE-EN 13240  
Weight 124 kg  
VOL. 0,71 m<sup>3</sup>



OPTIONAL ELEMENTS



X-1255-2/1  
Flue cover



X-1255-1/3  
Special finishing piece



X-1255-1/2  
Inclined finishing piece



X1255-6  
Wall support